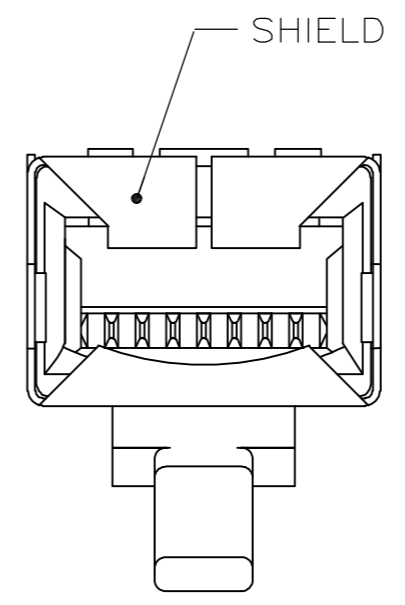
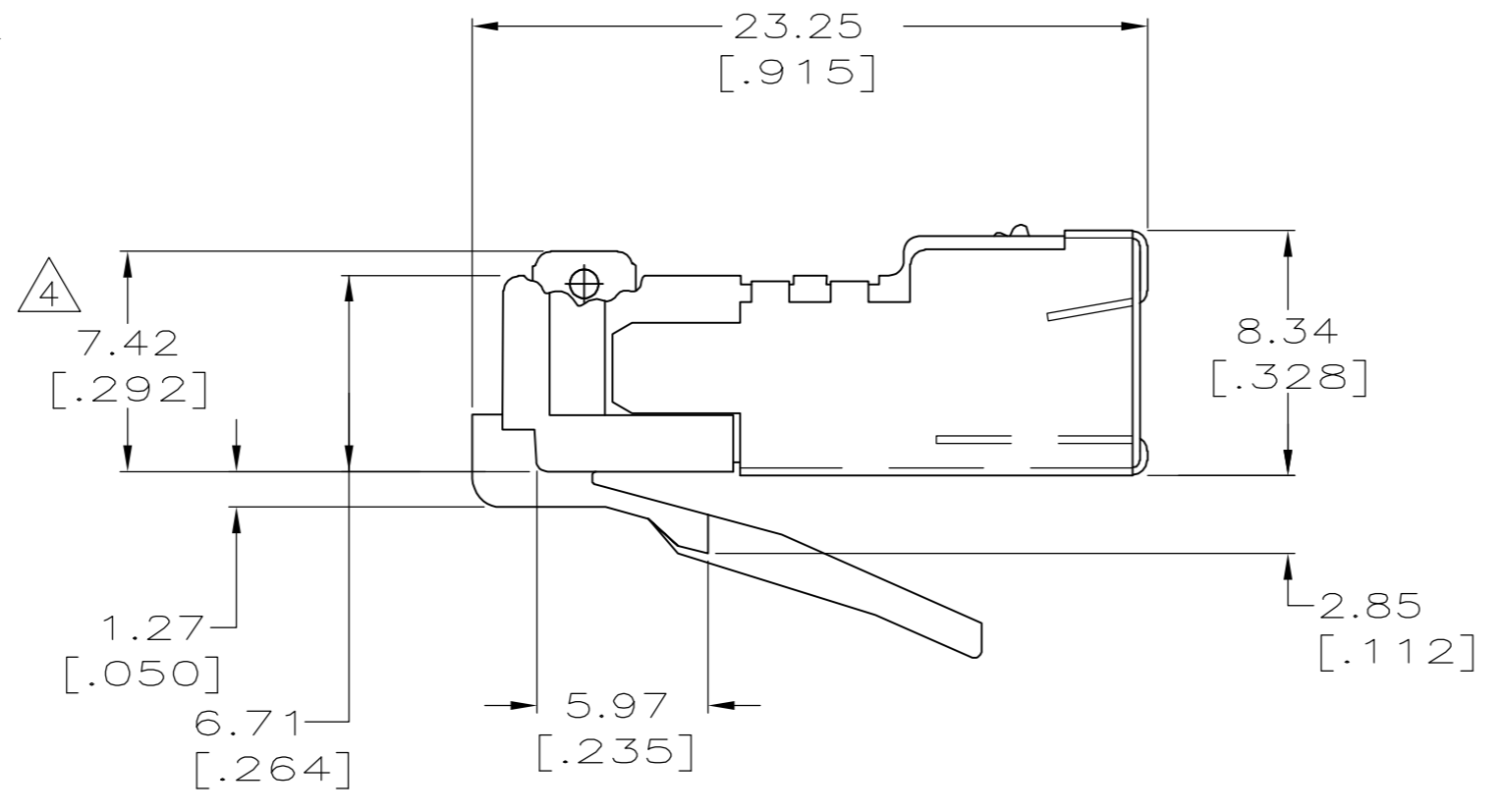
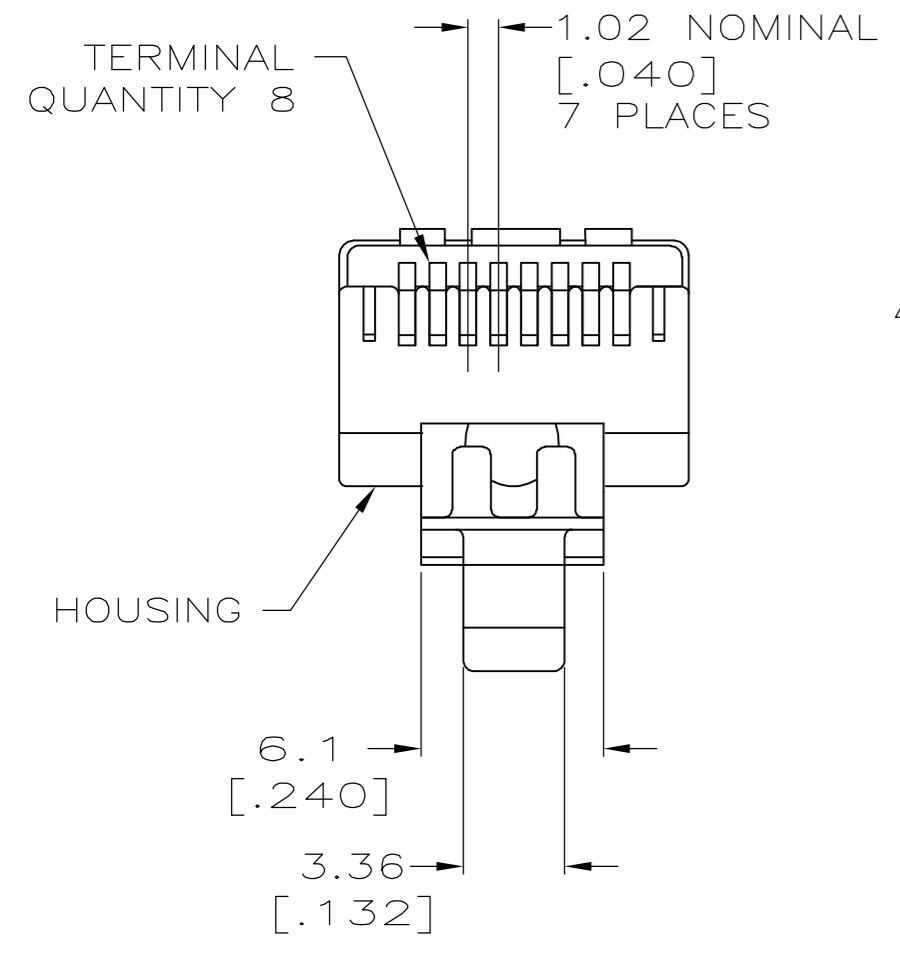
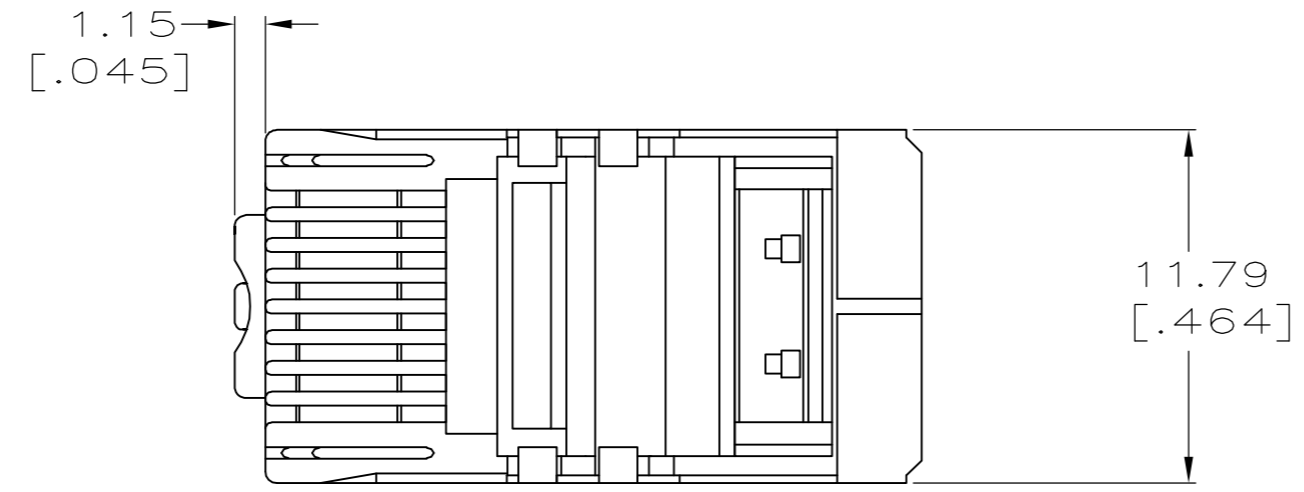


THIS DRAWING IS UNPUBLISHED. RELEASED FOR PUBLICATION
 © COPYRIGHT BY TYCO ELECTRONICS CORPORATION. ALL RIGHTS RESERVED.

LOC	DIST	REVISIONS					
HM	00	P	LTR	DESCRIPTION	DATE	DWN	APVD
		D		REV ECO-06-022160	30OCT06	LH	CD

- ① DIMENSIONS ARE MAXIMUM UNLESS OTHERWISE SPECIFIED.
- ② MATERIAL: HOUSING – POLYCARBONATE, CLEAR
 TERMINAL – PHOSPHOR BRONZE, PLATED WITH 1.27µm [.000050] MINIMUM THICK GOLD IN LOCALIZED GOLD PLATE AREA, GOLD FLASH OVER THE REMAINDER, OVER 2.54µm [.000100] MINIMUM THICK NICKEL UNDERPLATE.
 SHIELD – COPPER ALLOY WITH 1.27µm [.000050] MINIMUM SEMI-BRIGHT (SATIN) NICKEL.
- 3. PLUG WILL ACCEPT 24 TO 28 AWG STRANDED WIRE, 0.74–0.99 [.029–.039] DIAMETER, WITH A 5.08 [.200] DIAMETER MAXIMUM JACKET.
- ④ TERMINATED DIMENSION 6.15 [.242] MAXIMUM.
- ⑤ PACKAGED 500 ASSEMBLIES PER CARTON.
- ⑥ PACKAGED 100 ASSEMBLIES PER BOX.
- ⑦ PACKAGED 25 ASSEMBLIES PER POLYBAG.
- ⑧ SEE RESTRICTED CUSTOMER DRAWING 5-569532-5.
- ⑨ PACKAGED 10,000 ASSEMBLIES PER POLYBAG.



⑧	5-569532-5
⑦	5-569532-4
⑥	5-569532-3
⑤	5-569532-2
⑨	5-569532-1
PACKAGED	PART NUMBER

THIS DRAWING IS A CONTROLLED DOCUMENT.		DWN	L. HALL	25OCT2006	Tyco Electronics Corporation Harrisburg, PA 17105-3608
DIMENSIONS: mm [INCHES]		CHK	C. DOOLEY	30OCT2006	
TOLERANCES UNLESS OTHERWISE SPECIFIED:		APVD	C. DOOLEY	30OCT2006	
0 PLC ± - 1 PLC ± - 2 PLC ± - 3 PLC ± - 4 PLC ± - ANGLES ± - FINISH ± -		PRODUCT SPEC	108-1163	NAME	
MATERIAL	②	WEIGHT	-	SIZE	A2
CUSTOMER DRAWING		CAGE CODE	00779	DRAWING NO	C=569532
		SCALE	4:1	SHEET	1 of 1
		REV	D		

569532